

## UNIKA 500 VINTAGE

Kitchen Sinks

Code: N265 F80

UNIKA BOWL 50x40 À FLEUR VINTAGE



### DETAILS

Edge/Installation Type	Flush-mount   Top-mount
Material	AISI 304 stainless steel
Texture	Vintage
Base	60 cm
Dimensions	560x520 mm
Standard fittings	Fixing hooks, gasket, drain, overflow and siphon, boxed packing
Mixer holes	2 standard holes
Built-in hole	View technical data sheet
Drainer	No

Width 56 cm

---

Bowl dimension 500x400mm

---

Number of bowls 1 bowl

---

Waste fitting Drain with automatic PM control

---

## FEATURES

**VINTAGE** The Vintage finish gives the product a long-lived and elegant look, creating a surface that does not fear scratches.

---

**Double mixer hole** The large tap counter is already fitted with a series of 2 tap holes. In the second hole it is possible to install the remote control of the automatic drain or, alternatively, a practical soap dispenser.

---

**High thickness** 1mm thick steel. A significant thickness, which guarantees the maximum sturdiness and durability.

---

**Automatic waste fitting** The waste-fitting with round remote knob is supplied; a practical accessory which makes it unnecessary to get wet in order to drain the water from the bowl.

---

**Basket 3,5" waste fitting** The drain is equipped with a large 3.5" drain, with the practical basket cap that prevents the discharge of solid parts.

---

**Perimetral overflow** The overflow is always a security on the Foster sinks that prevents the overflow of water in case of oversights. The perimeter drain solution improves aesthetics thanks to its square and essential shape.

---

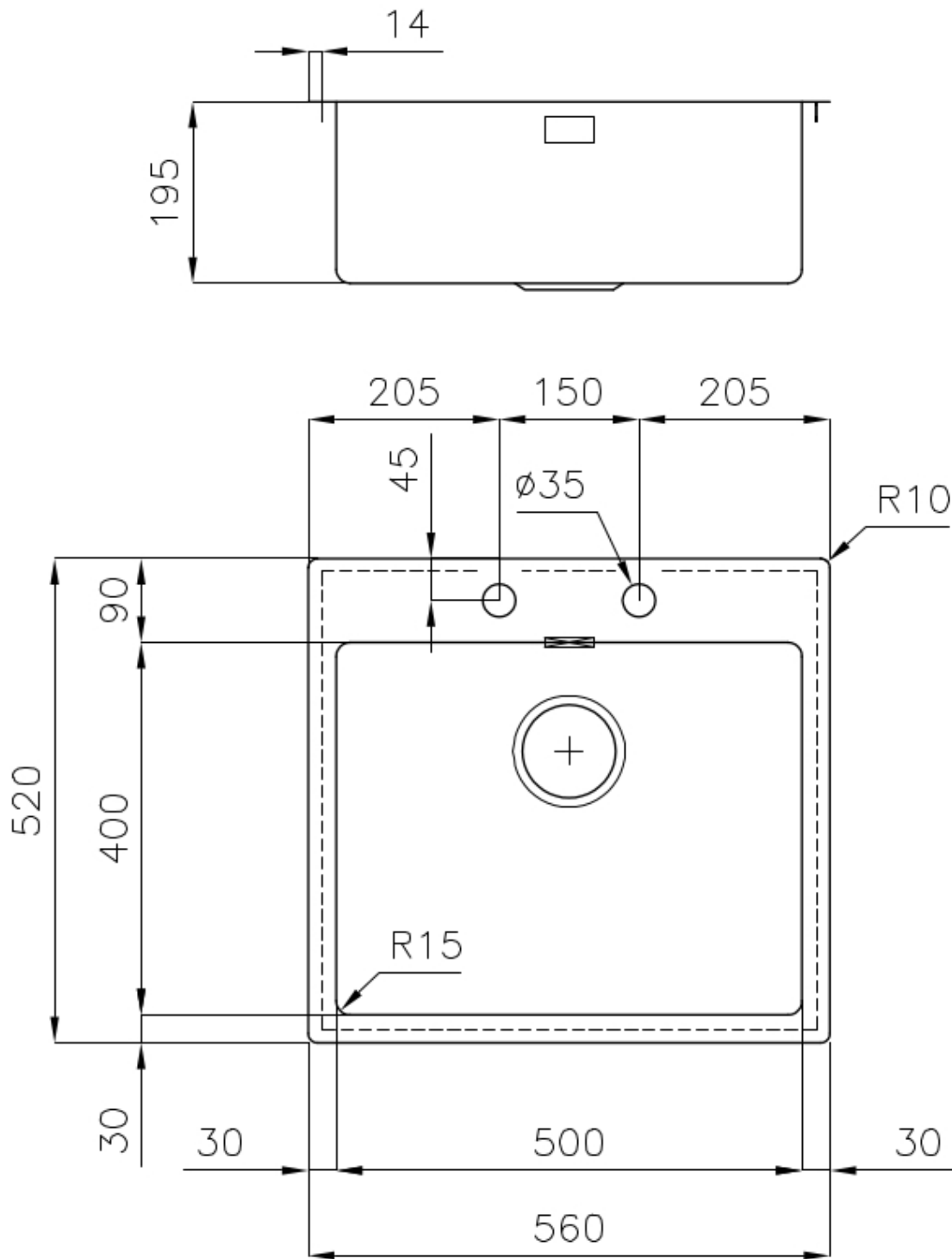
**Small radius** Bowls with squared shapes with a modern design and an increased capacity, for a minimal aesthetics connected with an extreme practicality.

---

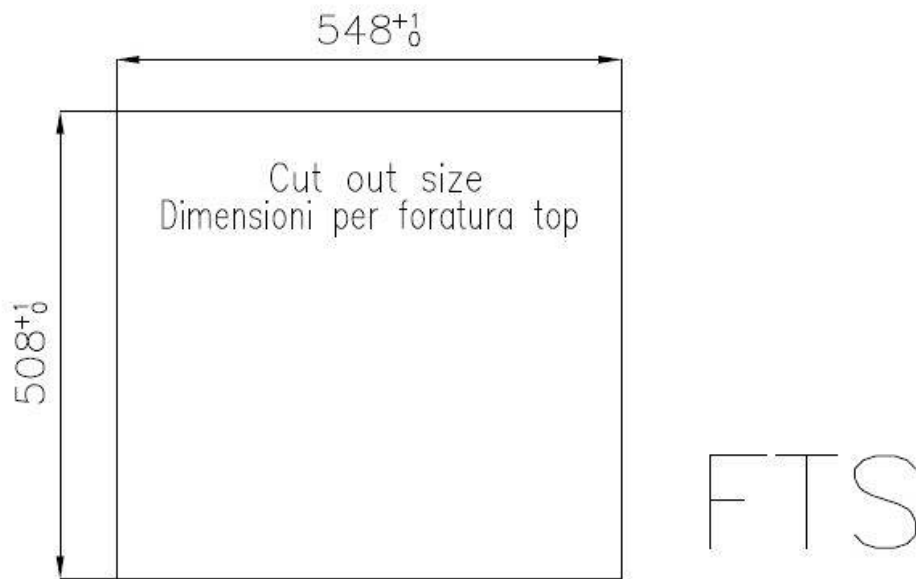
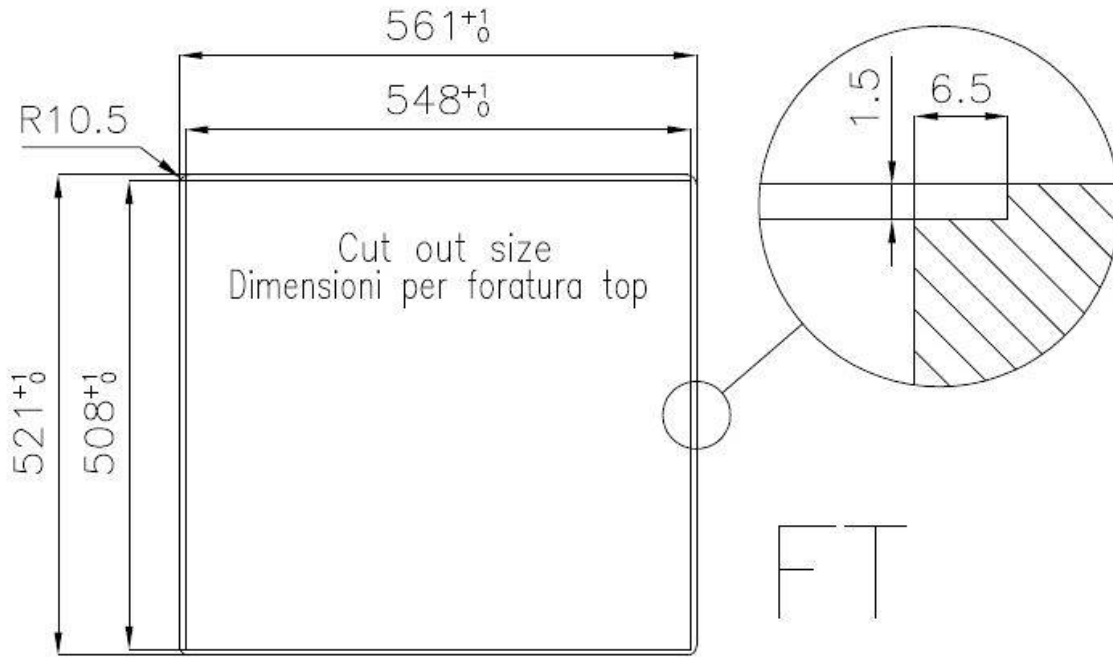
**Deep bowls** This bowls reach an important depth, over 20 cm, thanks to the advanced production technology, that can be offer great capieny and practicality in all the washing operations.

---

## TECHNICAL DATA



## Lavello serie KE cod. 2265/080



### GALLERY



## OPTIONAL ACCESSORIES



**CUVETTE PERFOREE INOX**

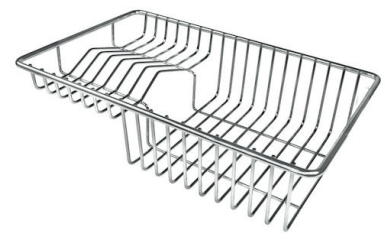
A154 F00

\* only in combination with the accessory  
A644 F04



**CUVETTE PLASTIQUE BLANCHE**

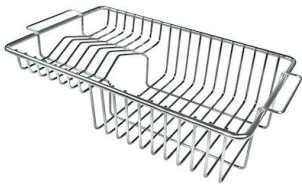
A153 A00



**GRILLE POR.ASSIETTES INOX  
mm214x379**

A100 C03

\* only in combination with the accessory  
A644 A01



**GRILLE PORTE-ASSIETTES INOX  
250x425**

A100 B01



**GRILLE PORTE-ASSIETTES INOX  
25x35**

A100 A54

\* only in combination with the accessory  
A644 F04



**PLANCHE DE DECOUPE CRYSTAL  
23x41 CM**

A631 C00



**PLANCHE DE DECOUPE DOUBLE  
HDPE**

A644 A01



**PLANCHE DE DECOUPE DOUBLE  
IROKO**

A644 F04



**PLANCHE DE DECOUPE HDPE  
27x42 CM**

A657 F01



## **CUVETTE INOX PERFOREE**

A151 F00

\* only in combination with the accessory  
A644 A01



## **KIT RÂPES ET PLANCHE DE DECOUPE HDPE**

A159 A01

\* only in combination with the accessory  
A644 A01